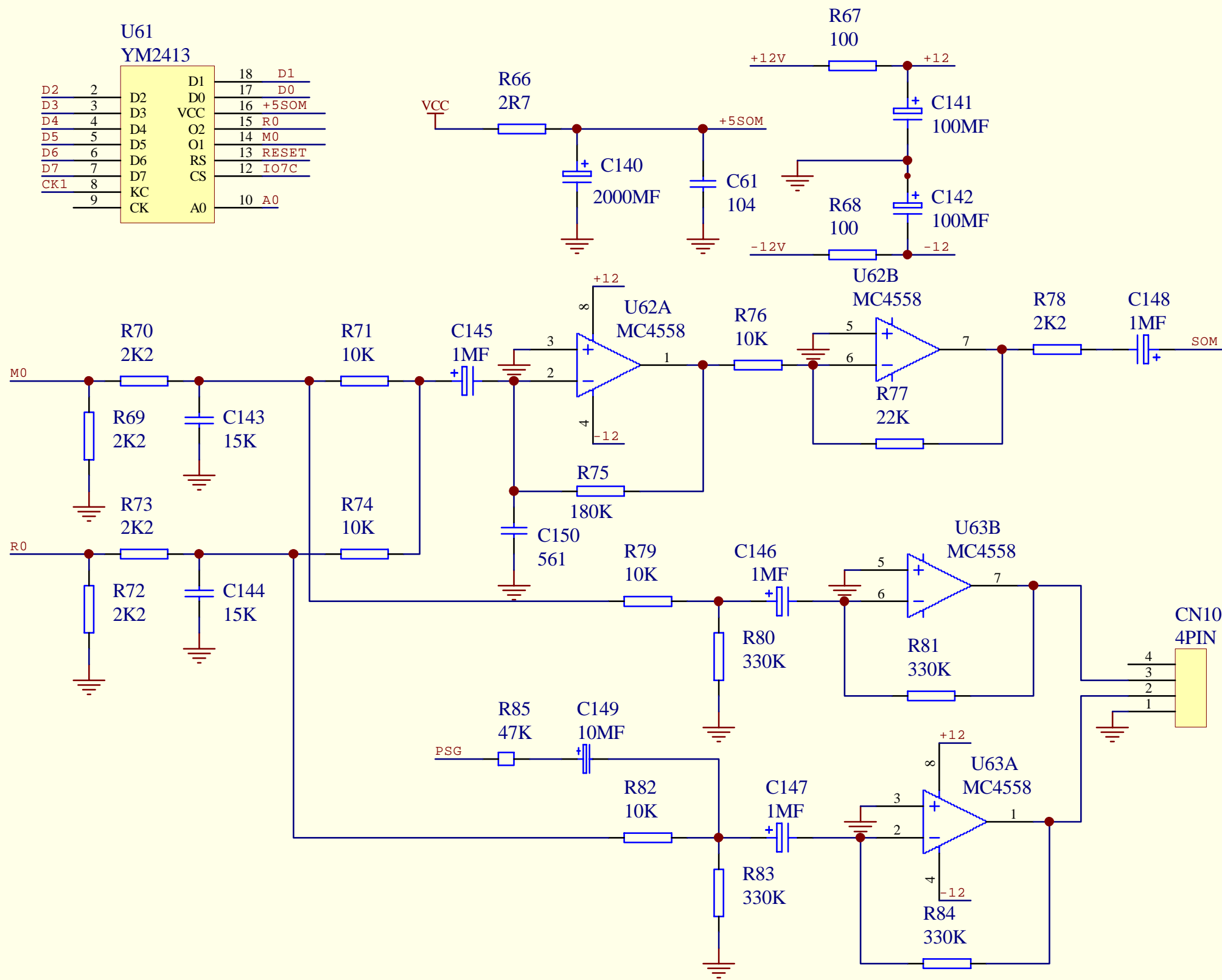
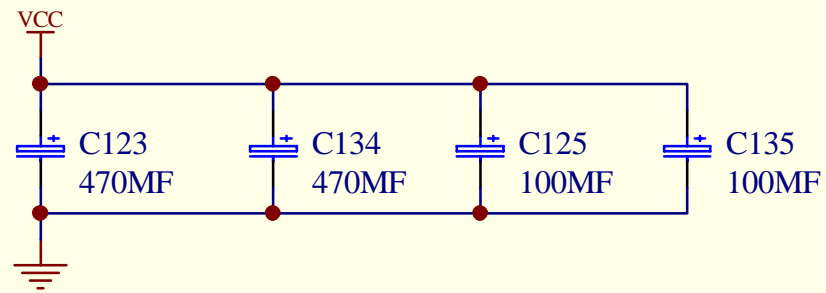


Title			PROJETO MSX BR		
Size	Number	Revision			
A4	EXPERT 2	A			
Date:	18-Jun-2001	Sheet	7 of 9		
File:	C:\Ademir\Proj2001\expert2.ddb	Drawn By:	Ademir Carchano		

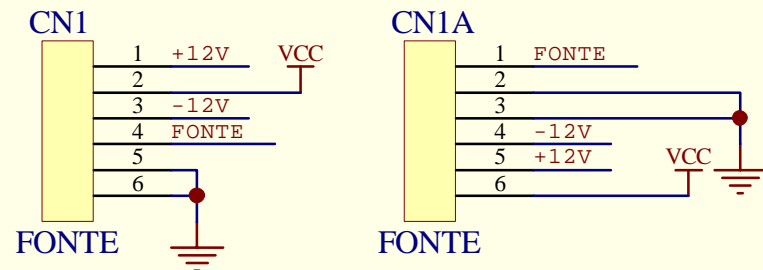
U61		YM2413	
D2 2	D1 18 D1	D1 18 D1	
D3 3	D0 17 D0	D0 17 D0	
D4 4	VCC 16 +5SOM	VCC 16 +5SOM	
D5 5	O2 15 R0	O2 15 R0	
D6 6	O1 14 M0	O1 14 M0	
D7 7	RS 13 RESET	RS 13 RESET	
CK1 8	CS 12 IO7C	CS 12 IO7C	
9	KC 10 A0	KC 10 A0	
	CK 10 A0	CK 10 A0	



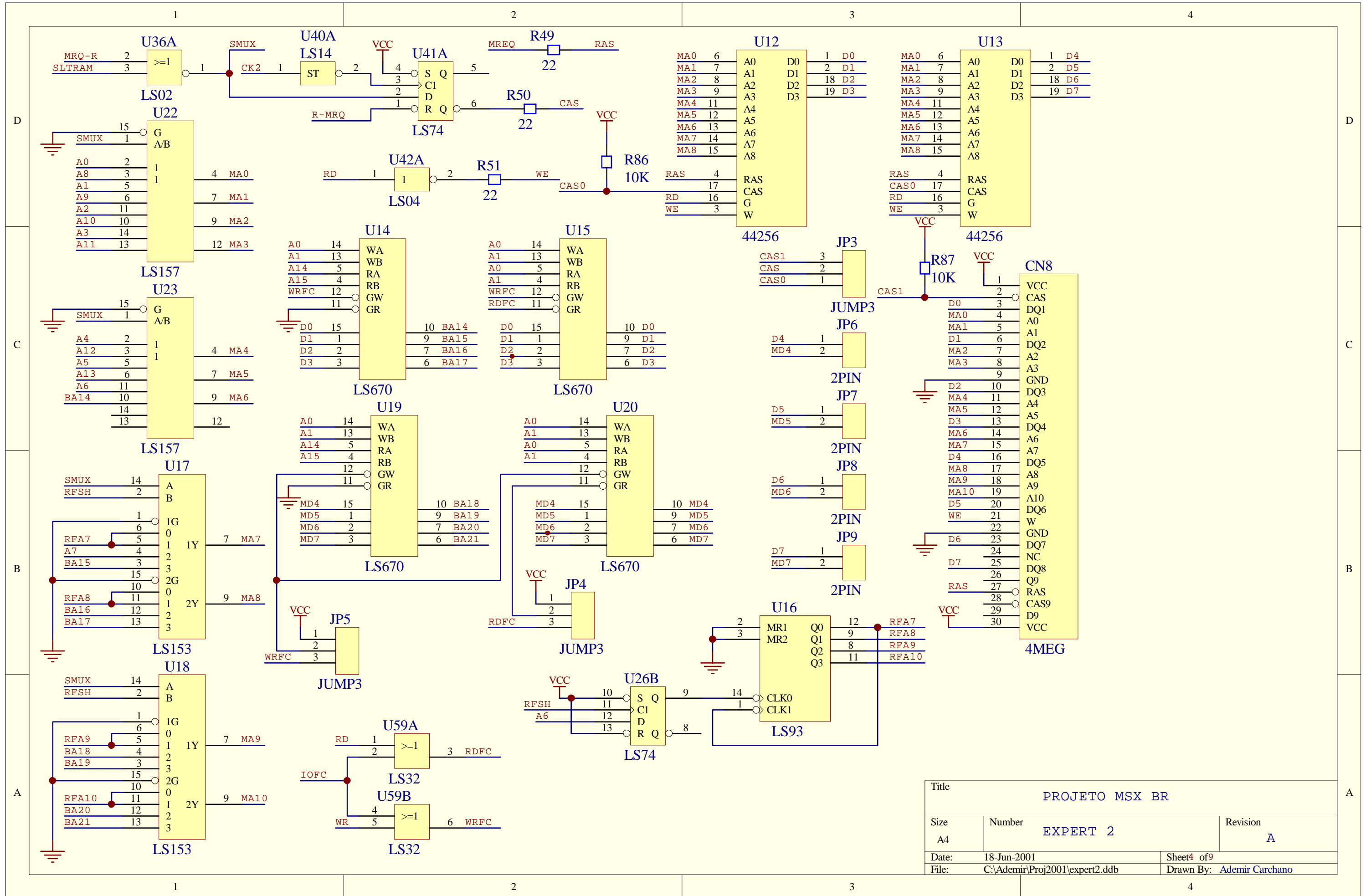
Title			PROJETO MSX BR		
Size	Number	Revision			
A4	EXPERT2	A			
Date:	18-Jun-2001	Sheet8 of9			
File:	C:\Ademir\Proj2001\expert2.ddb	Drawn By:		Ademir Carchano	



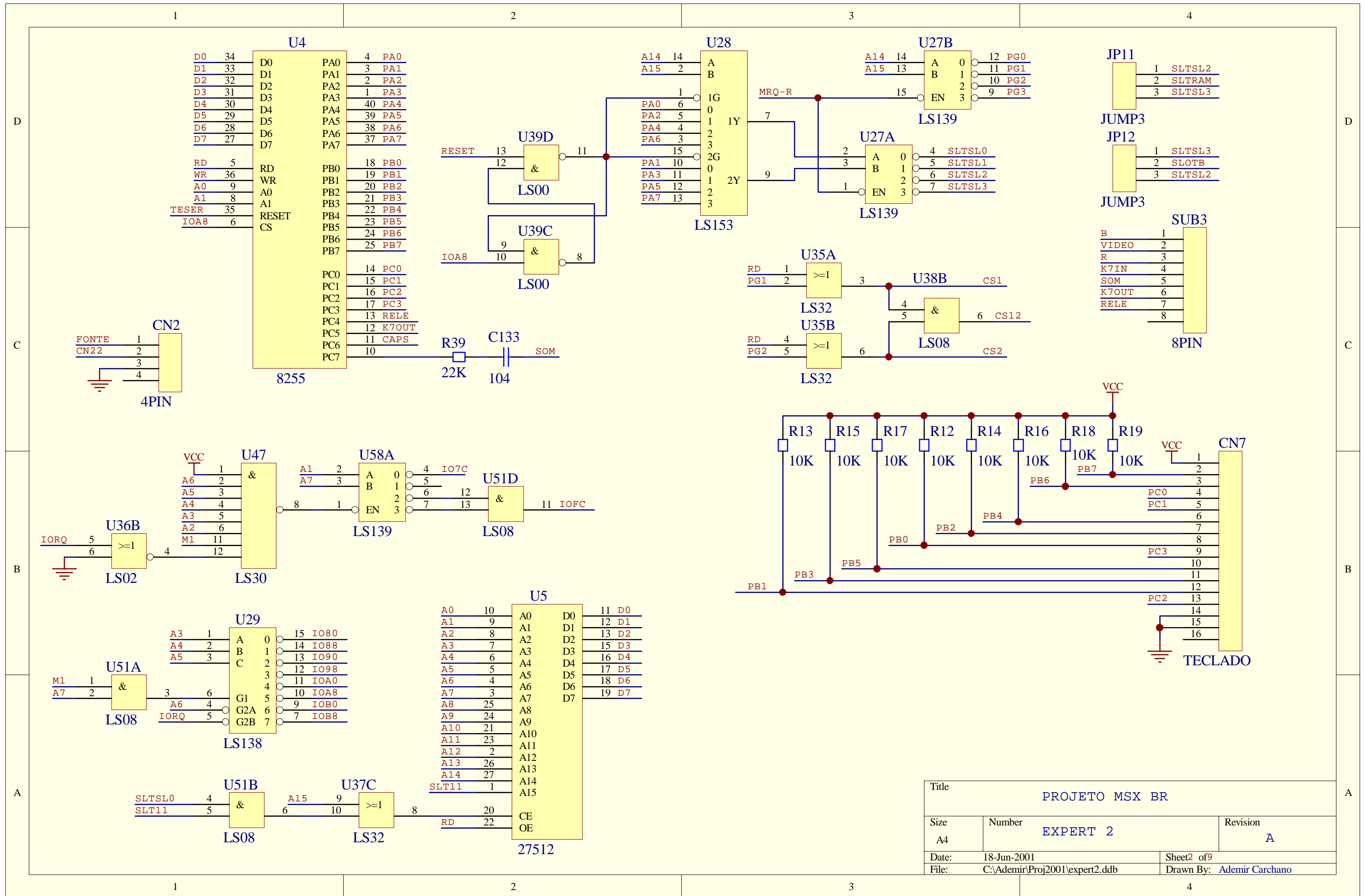
C1	C2	C3	C4	C5			C8	C9	C10	C11	C12	C13	C14	C15	C16	C17	C18	C19	C20
104	104	104	104	104			104	104	104	104	104	104	104	104	104	104	104	104	104
C21	C22	C23	C24	C25	C26	C27	C28	C29	C30	C31	C32	C33	C34	C35	C36	C37	C38	C39	C40
104	104	104	104	104	104	104	104	104	104	104	104	104	104	104	104	104	104	104	104
C41	C42	C43	C44	C45	C46	C47	C48	C49	C50	C51	C52	C53	C54	C55	C56	C57	C58	C59	C60
104	104	104	104	104	104	104	104	104	104	104	104	104	104	104	104	104	104	104	104
C137	C138																		
104	104																		



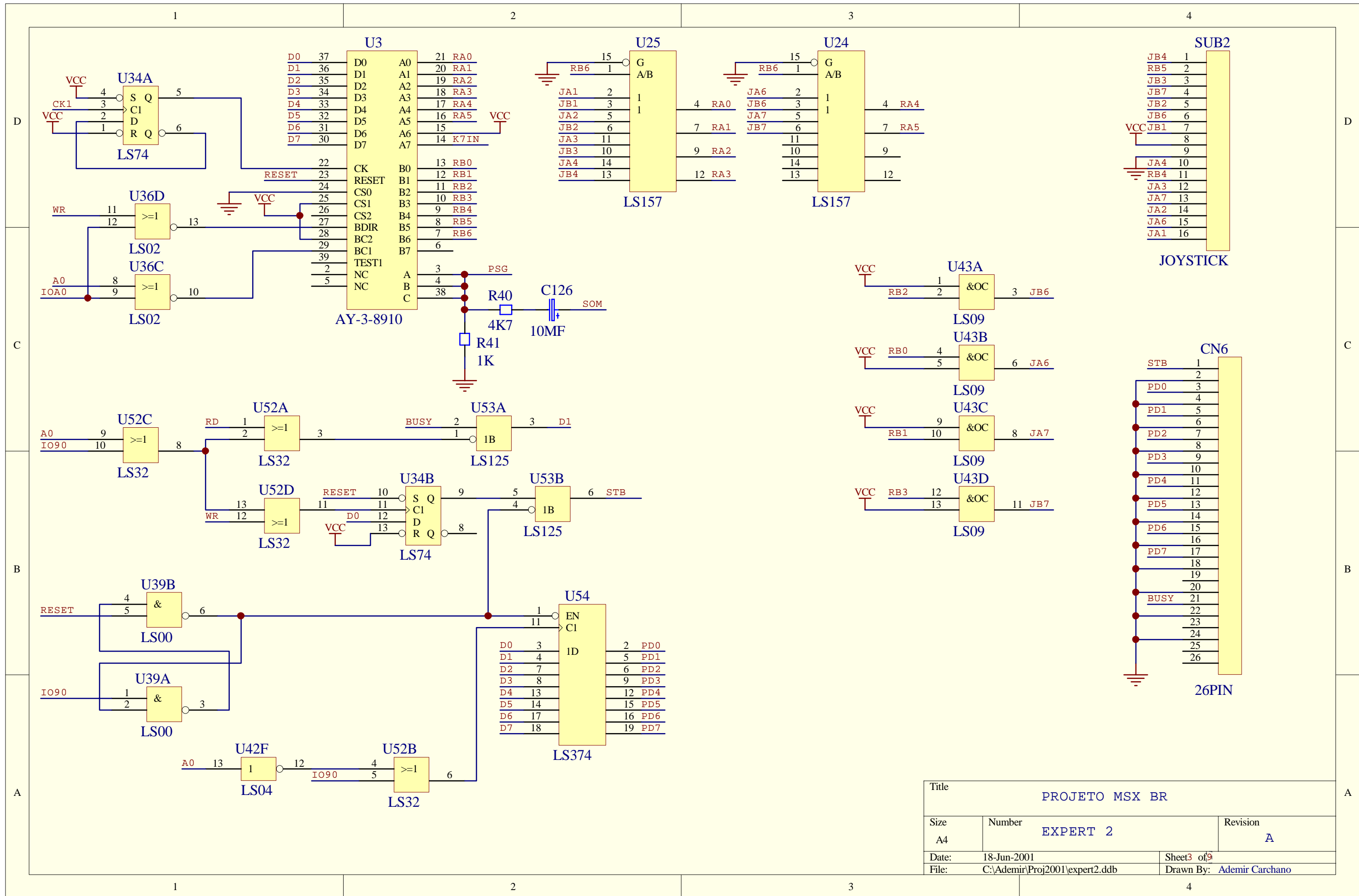
Title			PROJETO MSX BR		
Size	Number	Revision			
A4	EXPERT 2	A			
Date:	18-Jun-2001	Sheet9 of9			
File:	C:\Ademir\Proj2001\expert2.ddb	Drawn By: Ademir Carchano			



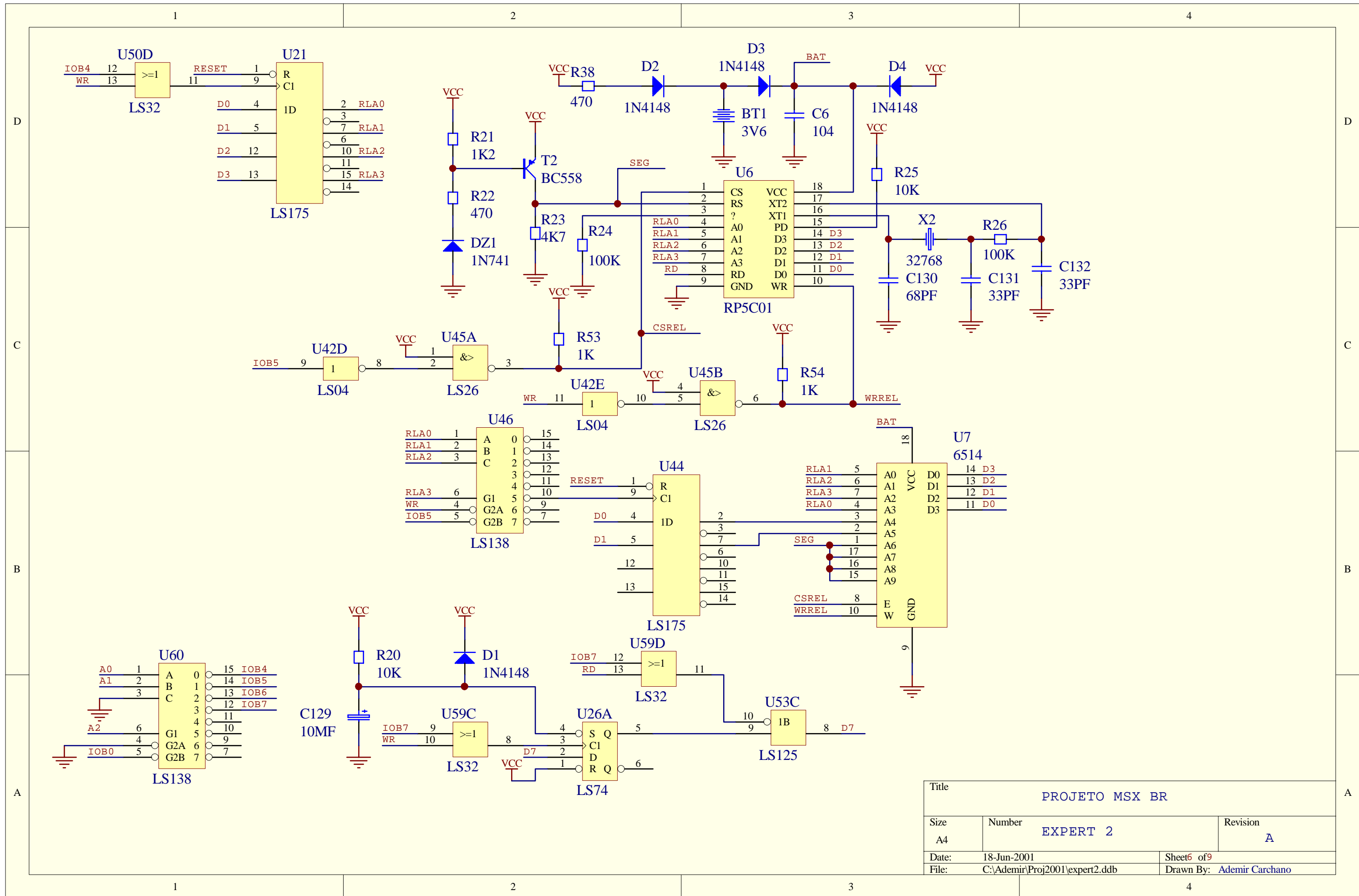
Title			PROJETO MSX BR		
Size	Number		Revision		
A4	EXPERT 2		A		
Date:	18-Jun-2001		Sheet4 of9		
File:	C:\Ademir\Proj2001\expert2.ddb		Drawn By: Ademir Carchano		



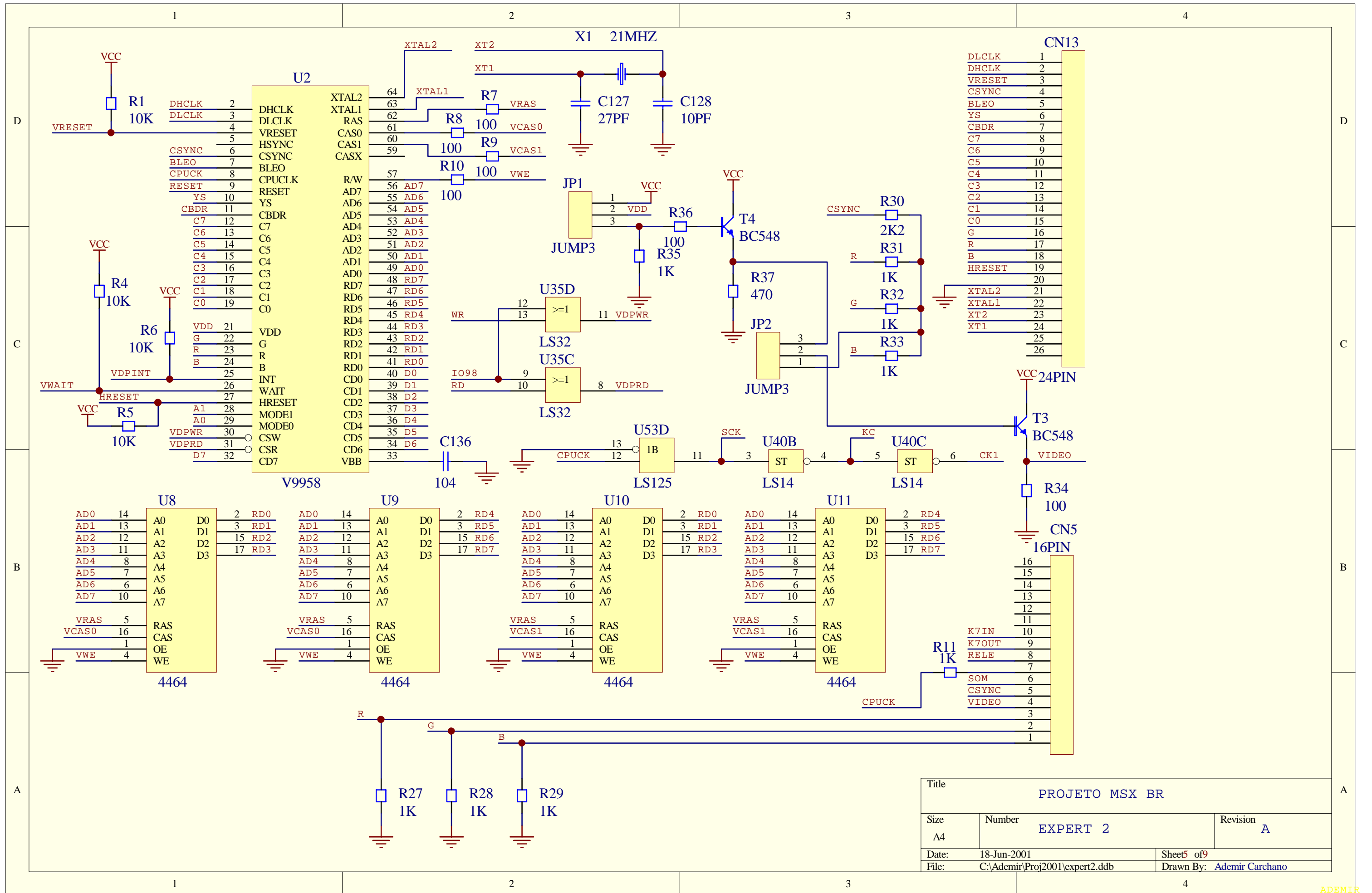
Title			PROJETO MSX BR		
Size	Number	Revision			
A4	EXPERT 2	A			
Date:	18-Jun-2001	Sheet2	of9		
File:	C:\Ademir\Proj2001\expert2.ddb	Drawn By:		Ademir Carchano	



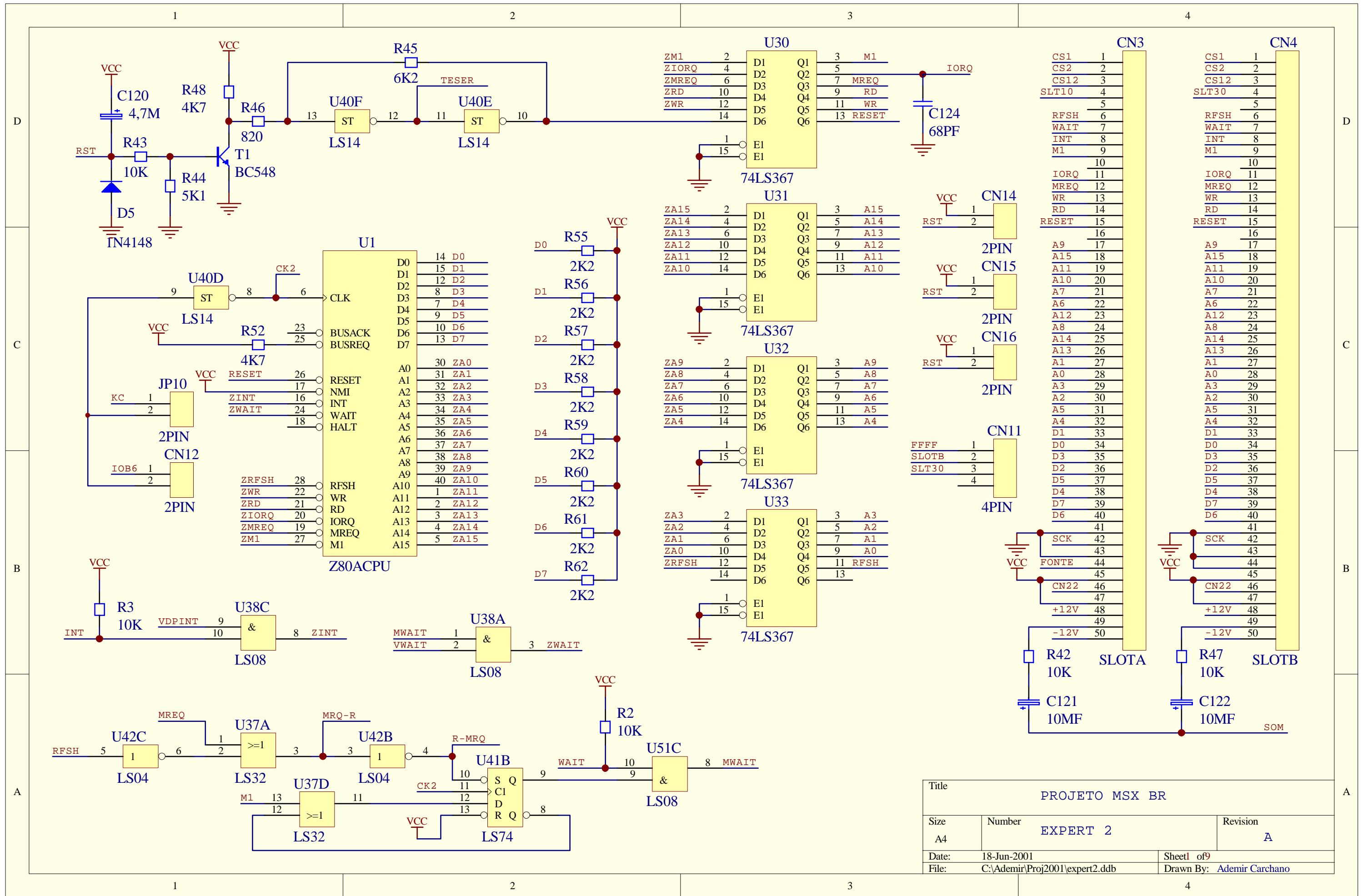
Title			PROJETO MSX BR		
Size	Number	Revision			
A4	EXPERT 2	A			
Date:	18-Jun-2001	Sheet3 of 9			
File:	C:\Ademir\Proj2001\expert2.ddb	Drawn By:		Ademir Carchano	



Title			PROJETO MSX BR		
Size	Number	Revision			
A4	EXPERT 2	A			
Date:	18-Jun-2001	Sheet 6 of 9			
File:	C:\Ademir\Proj2001\expert2.ddb	Drawn By: Ademir Carcano			



Title			PROJETO MSX BR		
Size	Number	Revision			
A4	EXPERT 2	A			
Date:	18-Jun-2001	Sheet	5 of 9		
File:	C:\Ademir\Proj2001\expert2.ddb	Drawn By:		Ademir Carchano	



Title			PROJETO MSX BR		
Size	Number	Revision			
A4	EXPERT 2	A			
Date:	18-Jun-2001	Sheet	of 9		
File:	C:\Ademir\Proj2001\expert2.ddb	Drawn By:		Ademir Carchano	